

SMART[®] VMS HT Variable Message Sign

NEW

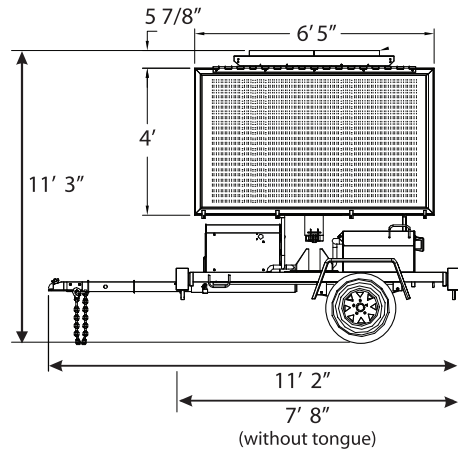


SMART VMS HT

Homeland Security Trailer

The SMART VMS HT is the newest variable message sign trailer from Kustom Signals. It was specifically designed in response to Homeland Security Grants for first responders. The trailer's small footprint allows for multiple trailers to fit on a flatbed for quick and easy deployment. Its many features include WiFi connectivity for easy wireless programming, Solar assisted recharge for extended operation, and Easyhost pc software.

SMART VMS HT



10 Trailers on a flatbed for quick deployment



SMART® VMS I, II, III and HT

GENERAL TRAILER **With Solar** **Without Solar**

Height (operating)	133"	123.5"	
Height (storage)	97"	87.5"	
LED operating temperature range:	-30° to +165°F		
Electronics operating temperature range:	-30° to +165°F		
Sign raise/lower:	Hydraulic		
Control console display backlit:	LCD		
Pre-programmed messages:	199		
User-defined messages:	199		
Message sequences:	250		

Features

- Directional Radar Unit (Option on HT)
- Amber Violator Alert
- Over-Speed Blanking
- Axle/Wheel Lock

Options

- Traffic Statistics Computer
- Solar Panel
- Additional Batteries
- Alarm
- Spare Tire (Not on VMS HT)
- Easy Host Remote Control Software and Cell Modem

TRAILER MOUNTED POWER CHARGING SYSTEM

Battery Life:	8 days nominal
Land Power:	On-board 40 AMP charger automatically capable of recharging battery pack within 24-48 hours using 110 vac

LED DISPLAY SIZES

Sign Model	Panel Height x Width
VMS I	48" x 96"
VMS II	48" x 72"
VMS HT	48" x 72"
VMS III	32" x 72"

DIRECTIONAL RADAR UNIT

Kustom Directional K-Band Radar	
Operating Frequency:	24.125 GHz
Accuracy:	+1 mph (+1km/h)

CHARACTER FONTS AND LEGIBILITY GUIDE

Character Matrix	Normal Size	Characters per Line	Legibility Distance
7 x 7	6"	9	450 ft.
6 x 11	8"	9	650 ft.
9 x 20	18"	6	950 ft.

Graphics And Legibility

- LED Color – ITE Amber
- 29 MUTCD Symbol Signs Available
- 6 Character Fonts
- Full Height Chevrons, Moving Arrows
- Ability To Flash Lines Or Entire Message
- Incident Management Capability
- School And Work Zone



Solar Panel